

ENGINEERING
WAKELY
 COMPANY

ENGINEERING
WAKELY
 COMPANY

WAKELY MILLS - THE MARKET LEADER
 • EASIER DRIVEN • LESS NOISE • LESS DUST
GUARANTEES
A MORE PLEASANT WORKING ENVIRONMENT

510 Electric Roller Mill

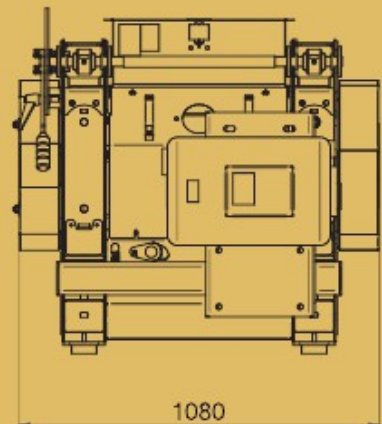
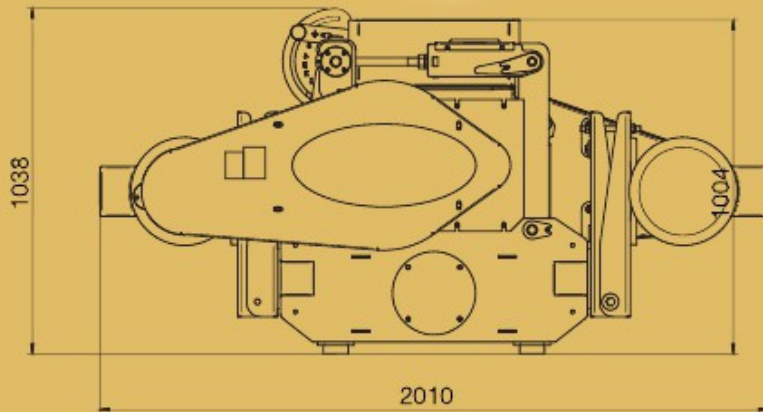
Industrial Roller, 10 tonne output. Either manually operated or incorporated into a completely automated system.

Specifications:

- High quality precision balanced Solid Chilled Rollers 510/300
- 4/70mm Heavy duty spherical roller bearings
- Each roll is individually driven by an 11kw motor
- Re-enforced bearing housings
- Parallel roll gap adjustment lever
- Spring tension
- Anti vibration feet
- Robust frame

Options:

- Rubble Separator
- Discharge Auger and Elevator



510 ELECTRIC INDUSTRIAL ROLLER MILL

Technical specifications Wakely 510 Electric Industrial Roller Mill

510

Output
10 tonne

Weight
1,140kgs

Spring Tension
yes

Electric Volts
380 - 440